



LAMEL®
ROZDZIELNICE

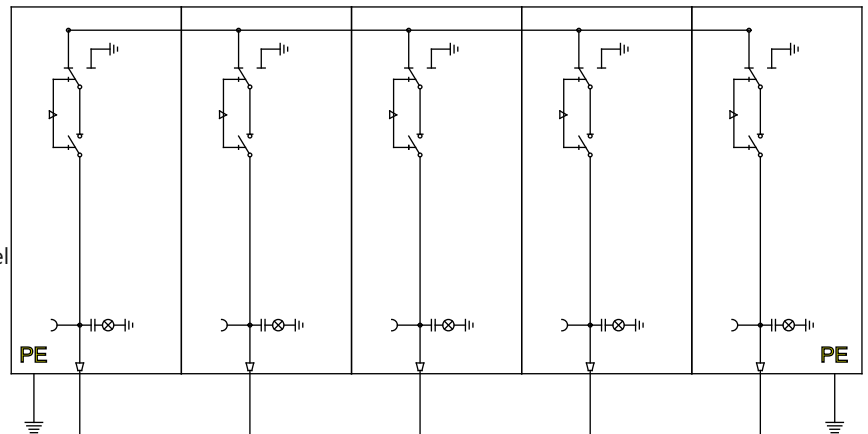
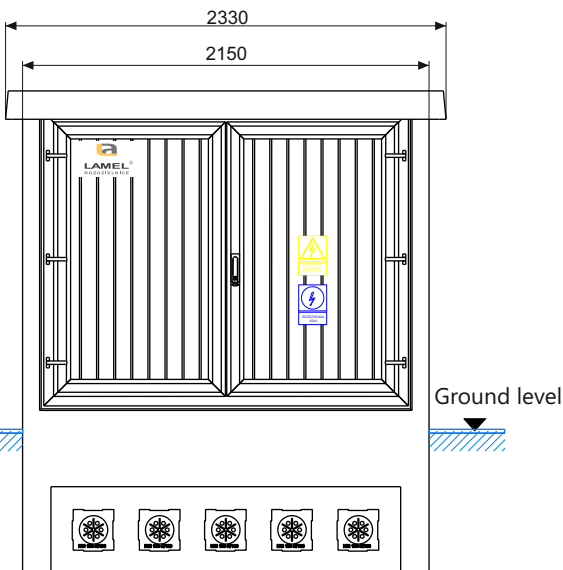
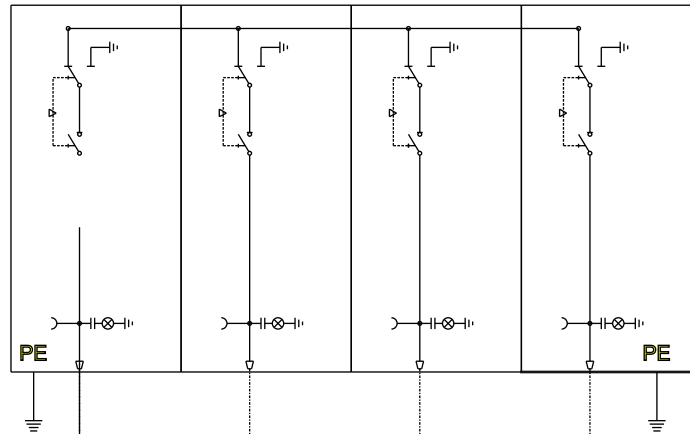
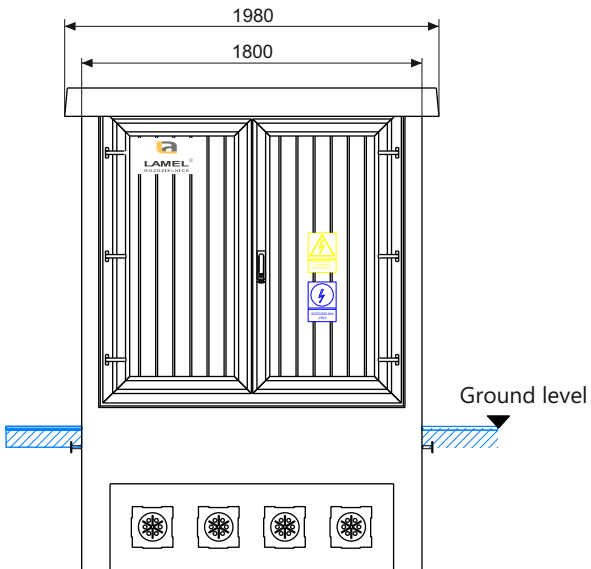
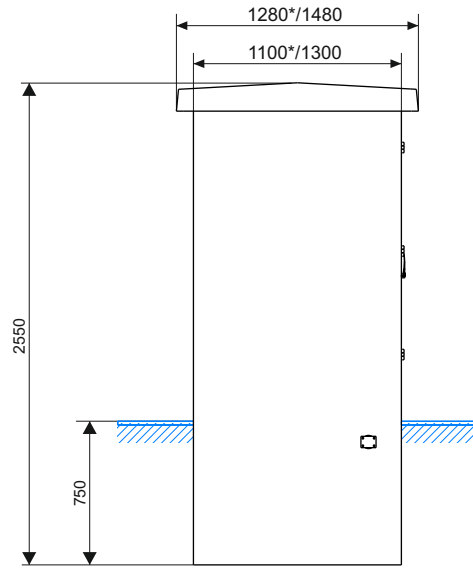
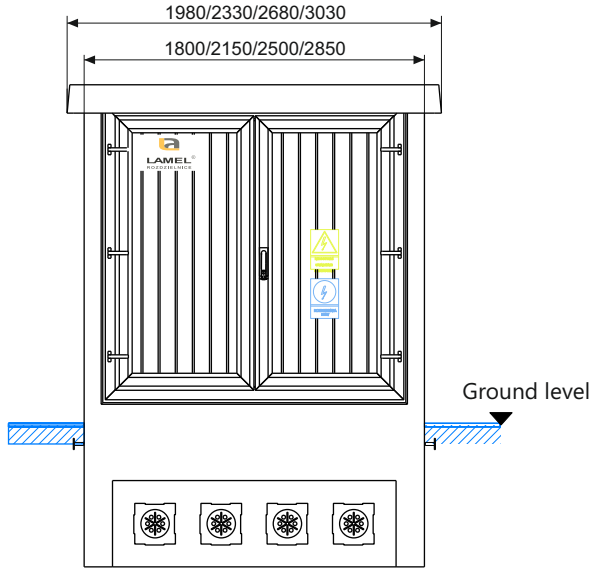
MV cable connection in concrete container



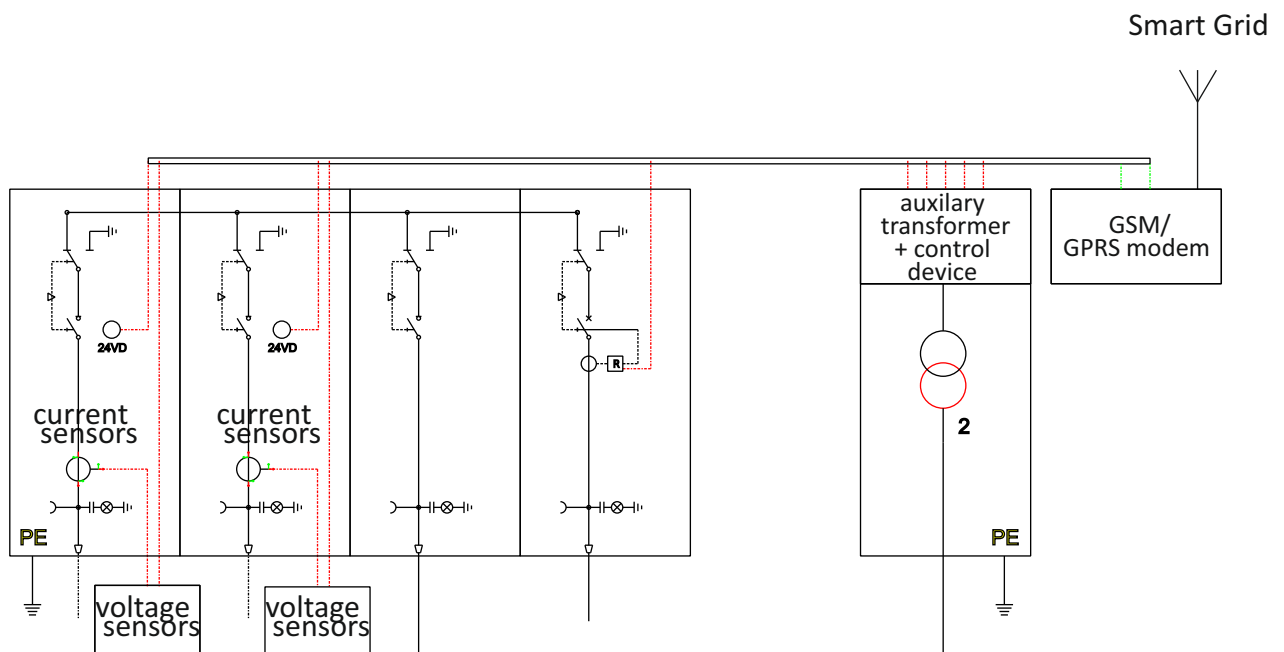
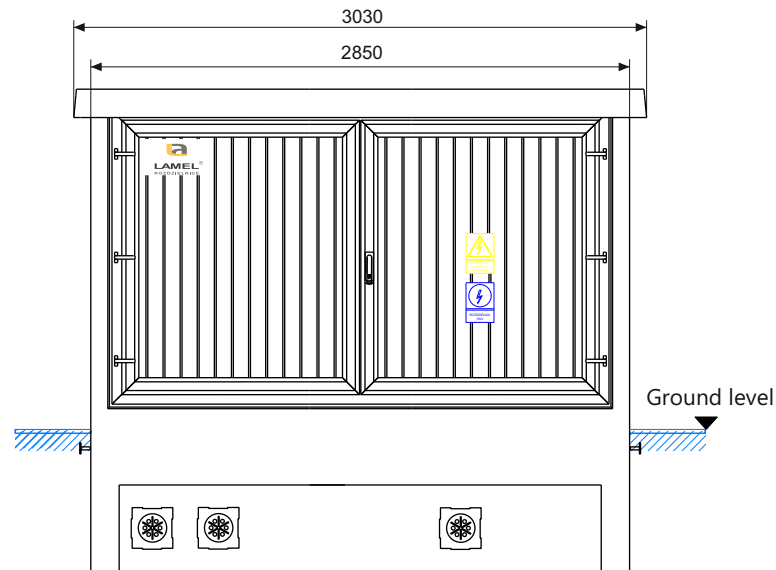
Tel: +48 58 685 40 50 int. 19
email: energetyka@lamel.com.pl

www.lamel.com.pl

ELEVATION VIEW AND STANDARD MV CABLE CONNECTION DIAGRAM



ELEVATION VIEW AND STANDARD MV CABLE CONNECTION DIAGRAM



MV cable connections in externally-operated concrete casing can work with MV cable network in ring and radial arrangement. Has been tested for internal arc resistance according to IEC 62271-202. The internal arc classification IAC-AB up to 16 kA 1sec. Highest levels of personnel safety.

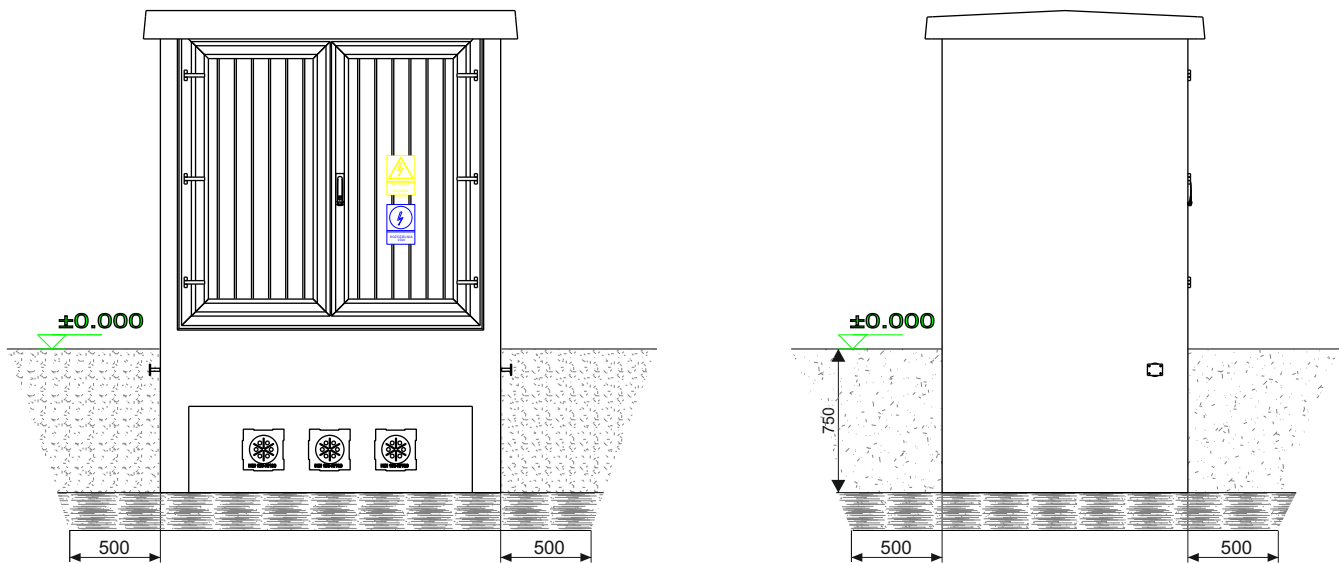
It is composed of two monolithic elements made from C30/ 37 class reinforced concrete: main body and roof.

Smart Grid solution.

From a functional aspect, besides basic functions such as breaking, switching/disconnection of the electrical circuit and communication, there are four different functional levels, namely:

1. Monitoring
2. Control
3. Measurement
4. Protection

MV cable connections equipped with current and voltage sensors, innovative protection systems



Technical data

Rated voltage	24 kV
Rated lightning impulse withstand voltage	125 / 145 kV
Rated normal current of feeders	630 A
Rated short-time current (1 s)	16 kA
Protection degree	IP 43
Rated peak withstand current	40 kA
The internal arc classification	IAC-AB

Dimension

TYPE	ZK-SN1813	ZK-SN2113	ZK-SN2513	ZK-SN2813
Length (mm)	1800	2150	2500	2800
Width (mm)	1100 / 1300	1100 / 1300	1100 / 1300	1100 / 1300
Height (from ground level)(mm)	1800	1800	1800	1800
Total weight (t)	~4	~4,5	~5	~5,5
Rated peak withstand current				

